

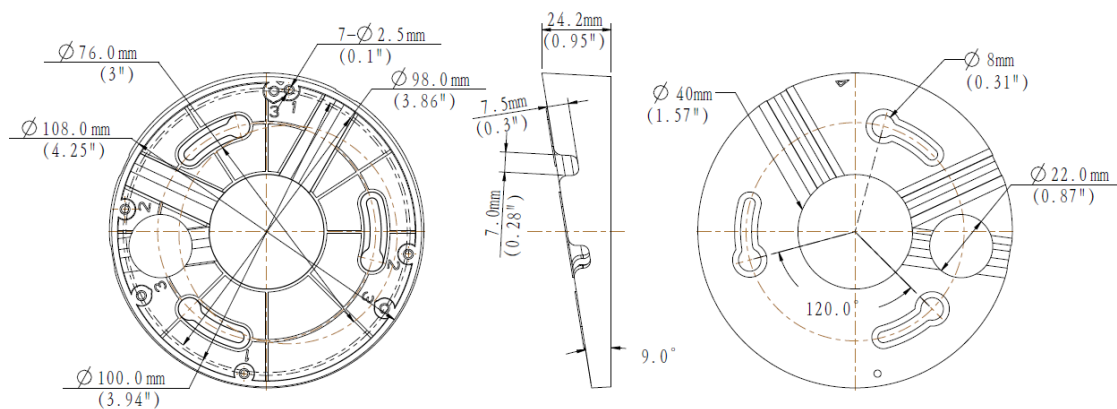
TR-UM06-E-IN Fixed Dome Indoor Incline Mount



Specifications

Bracket	TR-UM06-E-IN
Application	Indoor, incline installation for fixed dome
Dimensions	Φ109.6mmx24.2mm (3.6" x 0.8")
Weight	0.04kg(0.1lb)
Material	Plastic

Dimensions



Zhejiang Uniview Technologies Co.,Ltd.

South Tower, Building 10, Wanlun Science Park, 88 Jiangling Road, Hangzhou, P.R.China 310051

Email: overseasbusiness@uniview.com; globalsupport@uniview.com

<http://www.uniview.com>

©2018 Zhejiang Uniview Technologies Co.,Ltd. All rights reserved.

*Product specifications and availability are subject to change without notice.